

B/E Aerospace, Inc.

# Reading Lights

- **Adjustable light-beam position**
- **Wide selection of standard and custom mounting configurations**



## Description

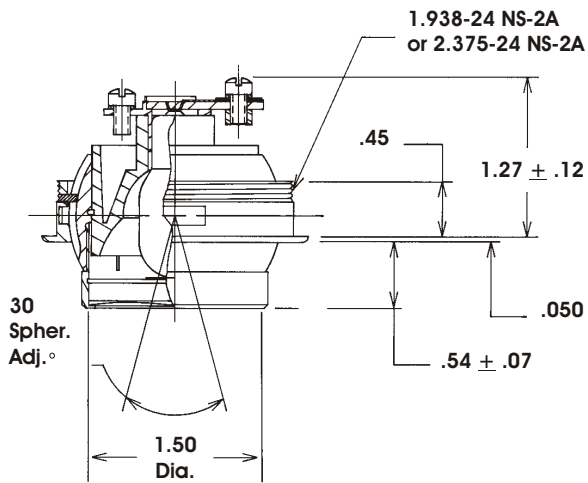
B/E-WEMAC offers several styles of Adjustable Reading Lights commonly used for passenger and crew lighting applications in all types of aircraft. These adjustable reading lights will meet specific requirements as to intensity and size of the light pattern. They feature a ball and flange assembly, which houses the lens, reflector and lamp. This configuration permits ease in adjustment and provides complete control over the position of the light spot.

Mounting configurations range from screw mounts with a variety of hole sizes and patterns to those that are threaded on the back and installed with a securing nut. Recessed flanges that reduce the protrusion of the light assembly into the cabin compartment are available on some styles of lights. These various types of standard and custom-designed mounting flanges add to the versatility in installation, as well as provide pleasing aesthetic appearance.

The lenses are made of translucent glass. The other cosmetic components are available in our standard anodic finishes of clear, black or gray. Other anodic finishes, as well as painted or plated finishes may be available upon request to complement the customer's decor. All models include protective terminal guards to cover the screw terminals.

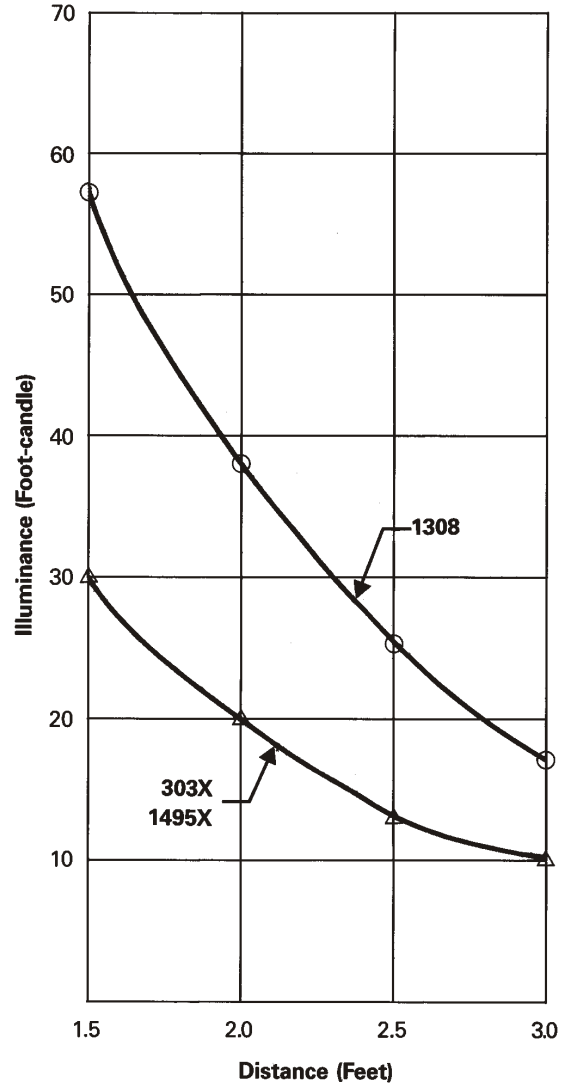
# Application Notes

Typical Reading Light



\*Specifications are subject to change without notice

Reading Light Output (Using Standard 28-Volt Lamps)



## Ordering Information

Specify the part number, if known, and finish. If part number is not known, specify the following: lamp type, light intensity, and spot diameter at the distance to the reading plane, mounting hole size, type and size of mounting flange and finish.

B/E Aerospace, Inc.  
Business Jet Group  
75 Beacon Drive, Holbrook, NY 11741  
Tel: 631-563-6400 Fax: 631-563-8781